



TRB



TREB

Range of cylindrical cased axial flow fans manufactured from high grade rolled sheet steel and finished with a tough black polyester paint coating and provided with a Sickle blade impeller fitted with an external rotor motor. Suitable for many general low pressure extract / supply ventilation applications. Available, depending upon the model, with single phase motors in 2 or 4 poles.

Motors

All the motors are IP44 Class F insulation, equipped with thermal protection and ball bearings greased for life.

Electrical supply:

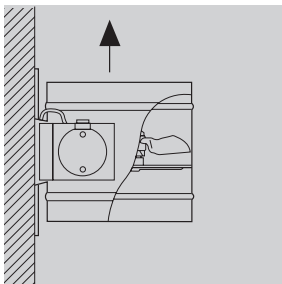
Single phase 230V-50Hz. (Capacitor located inside the wiring terminal box). All models are speed controllable.

Additional Information

Direction of air:

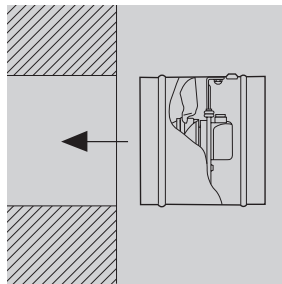
TREB Models: form (A) configuration (Motor over Impeller).

TRB Models: form (B) configuration (Impeller over Motor).



Model type TRB

Suitable for mounting on walls, ceilings or support structures, etc. Integrated mounting bracket with fixed outlet wiring box (can be moved either right or left side of the fan bracket.)



Model type TREB

Suitable for installation within a wall or ceiling structure. Wiring terminal box fitted on the motor.



Flame retardant terminal box

Terminal box in flame retardant plastic V0 located outside the airflow and including the capacitor.



High efficiency

“Sickle blade” impeller
 “Sickle Blade” impeller specifically designed to ensure the highest and most efficient airflow performance with the lowest noise level. Dynamically balanced to ISO 1940 standard. Manufactured from pressed sheet steel.

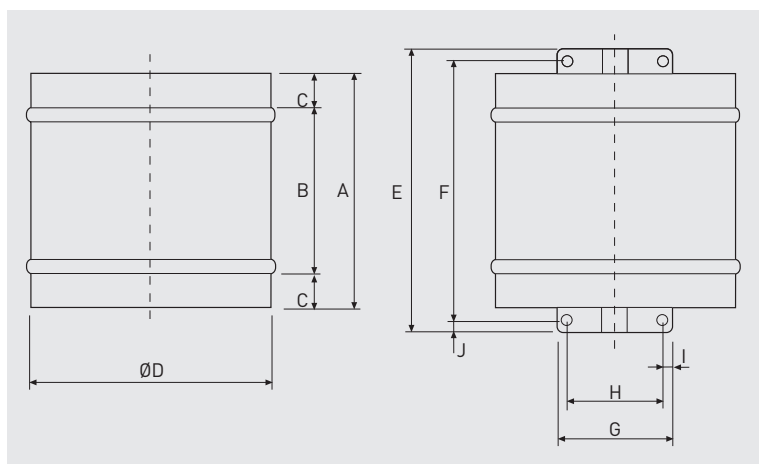
TECHNICAL CHARACTERISTICS

Before installation check that the product electrical characteristics listed on the data plate label (voltage, power, frequency, etc.) match those of the intended electrical supply.

Model	Speed (rpm)	Diameter (mm)	Maximum absorbed power (W)	Maximum absorbed current (A)	Maximum airflow (m ³ /h)	Sound pressure level* (dB(A))	Weight (kg)
SURFACE VERSION – TRB - 2 POLES							
TRB/2-200	2775	200	60	0,34	845	54	4,6
TRB/2-250	2685	200	125	0,55	1.810	59	5,6
SURFACE VERSION – TRB - 4 POLES							
TRB/4-200	1475	250	35	0,19	450	40	4,5
TRB/4-250	1450	250	40	0,21	950	43	5,1
TRB/4-300	1380	300	78	0,33	1.690	52	6,2
TRB/4-350	1400	350	125	0,55	3.070	52	7,3
BUILT-IN VERSION – TREB - 2 POLES							
TREB/2-200	2775	200	60	0,34	845	60	3,7
TREB/2-250	2685	200	125	0,55	1.810	65	4,7
BUILT-IN VERSION – TREB - 4 POLES							
TREB/4-200	1475	250	35	0,19	450	42	3,6
TREB/4-250	1450	250	40	0,21	950	47	4,2
TREB/4-300	1380	300	78	0,33	1.690	61	5,4
TREB/4-350	1400	350	125	0,55	3.070	58	7,2

* Measured at a distance of 1.5 m (for model TREB this figure represents the inlet sound pressure level).

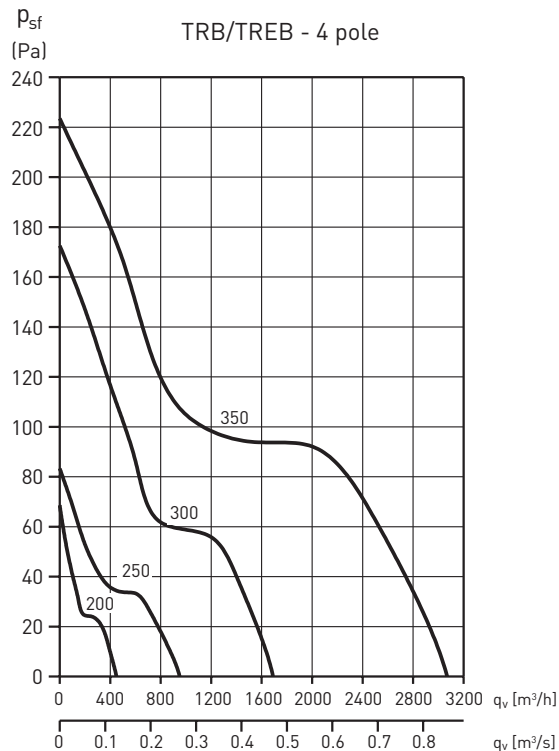
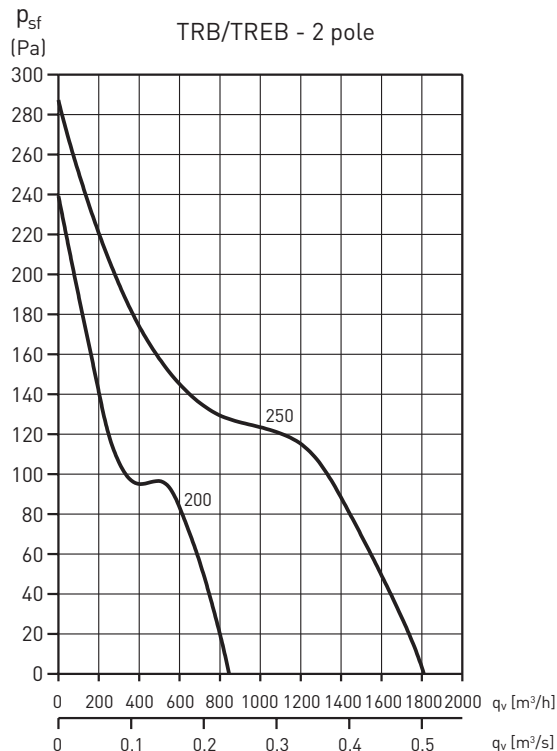
DIMENSIONS (mm)



Model	A	B	C	ØD	E	F	G	H	I	J
TRB-200	250	174	38	206	300	269	114	94	10	15,5
TRB-250	250	174	38	260,4	300	269	114	94	10	15,5
TRB-300	250	174	38	308,5	300	269	114	94	10	15,5
TRB-350	250	174	38	362,4	300	269	114	94	10	15,5
TREB-200	250	174	38	206	-	-	-	-	-	-
TREB-250	250	174	38	260,4	-	-	-	-	-	-
TREB-300	250	174	38	308,4	-	-	-	-	-	-
TREB-350	250	174	38	362,4	-	-	-	-	-	-

PERFORMANCE CURVES

- q_v : Airflow in m^3/h and m^3/s .
- p_{sf} : Static pressure in Pa.
- Dry air at 20°C and 760 mmHg.
- Performance data in accordance with ISO 5801 and AMCA 210-99 Standards.



MOUNTING ACCESSORIES



PER-W
Back draft plastic shutters.



PER-CR
Back draft aluminium shutters.



GRI
Aluminium grille.

Model	Back draft shutters		Aluminium grille
	Plastic	Aluminium	
TREB-200	PER-200 W	PER-250 CR	GRI-200
TREB-250	PER-250 W	PER-250 CR	GRI-250
TREB-300	PER-355 W	PER-355 CR	GRI-300
TREB-350	PER-355 W	PER-355 CR	GRI-350

ELECTRICAL ACCESSORIES



REB-1N / REB 2,5N
Electronic single phase speed controllers.



RMB
Single phase auto-transformer speed controllers.