

ROBUS®

DOWNLIGHTS

TAYLOR LED CCT3 SELECTABLE

7W, 9W, CCT3, IP44



PRODUCT INFORMATION DOCUMENT

FEATURES

- The fitting is pre-wired with 0.25m of flex and 2 pole push-in spring terminal connector block with integral cable clamp facility making installation fast and simple. Having two terminals per pole allows for loop in/loop out to other fittings on the same controlled circuit
- An opal polycarbonate diffuser is employed which provides a soft light for low glare whilst allowing maximum lumen transmission
- The plastic coated die-cast aluminium body provides maximum thermal conductivity to dissipate heat for long LED and driver life

CONSTRUCTION

- Plastic coated Aluminium PA66 housing
- Polycarbonate trim & Opal diffuser
- Steel spring clips



WARRANTY



LUMINAIRE LIFETIME



LUMENS PER W



IP RATING



OPERATING VOLTAGE



BEAMANGLE



CCT



DIMMING



SAFETY CLASS

Product Code:	RC7W723-01	RC9W923-01
Comparable to:	50W Halogen	50W Halogen
Total Power (W):	6.6/6.3/6.6	7.2/7.1/7.2
Power Factor:	0.9	0.8
Total Light Output (lm):	570/620/610	650/730/700
Total Emergency Light Output (lm):	NA	NA
Efficacy (lm/cctW):	85/92/91	92/104/98
Lux at 1m (lux):	250/300/270	280/310/300
Emergency Lux at 1m (lux):	NA	NA
CCT (K):	3000/4000/6500	3000/4000/6500
CRI:	80	80
IP:	44	44
Operation Temperature (°C):	-20 ≤ Ta ≤ +40	-20 ≤ Ta ≤ +40
Inrush Current:	7.2A/0.4us	5A/1us
RG Value:	0	0
SDCM:	6	6
P _{st} LM:	NA	NA
SVM:	NA	NA
Energy Class:	F	E
Rated Life to L70B50 (Hrs):	30000	30000
Dimensions ØxH (mm):	90x72x64	108x92x60
Weight (kg):	0.22	0.28

Separate Control Gear Information		
Type of Light Source:	LED	LED
Full Load Efficiency (%):	86	NA
P _{NET} (W):	NA	NA
Dimensions (mm):	50x50x23	NA

Product is certified to all the relevant standards.

Please contact our technical department for market specific compliances.

PLEASE NOTE: INFORMATION IN THIS DOCUMENT MAY BE SUBJECT TO CHANGE WITHOUT PRIOR NOTICE

IRE: TEL: +353 1 709 9000
 UK: TEL: 0800 973 220
 AUS: TEL: +61 7 3890 5444
 NZ: TEL: +64 03 668 5285

WEB: ROBUS.COM
 WEB: ROBUS.COM
 WEB: ROBUS.COM.AU
 WEB: ROBUSLED.CO.NZ

LED GROUP EUROPE · UK · AUSTRALIA · NEW ZEALAND · ASIA · MIDDLE EAST · AFRICA

TAYLOR LED CCT3 SELECTABLE

7W, 9W, CCT3, IP44

Cone Illuminance Diagram

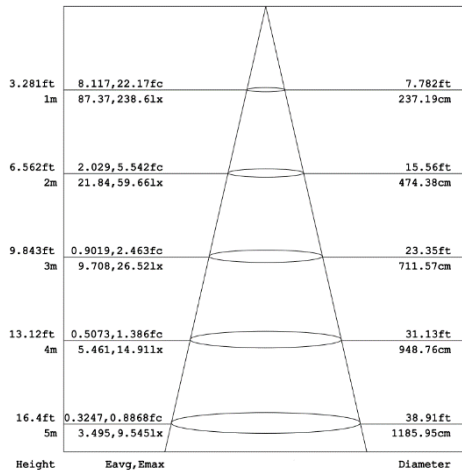
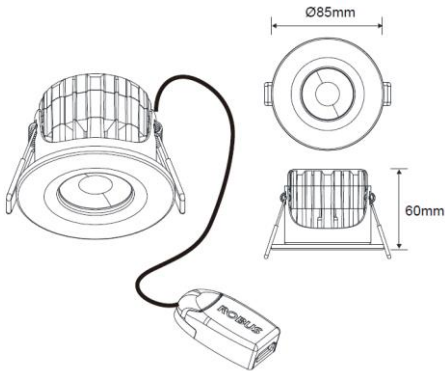


Diagram for RC7W723-01 in 3000K. Other diagrams available on request

Dimension Diagram



Sensor Data

Time Off Delay:	NA
Illuminance Switching Range:	NA
Sensitivity Range (%):	NA
Mounting Height (max):	NA
Detection Zone Diameter (max):	NA

Polar Intensity Diagram

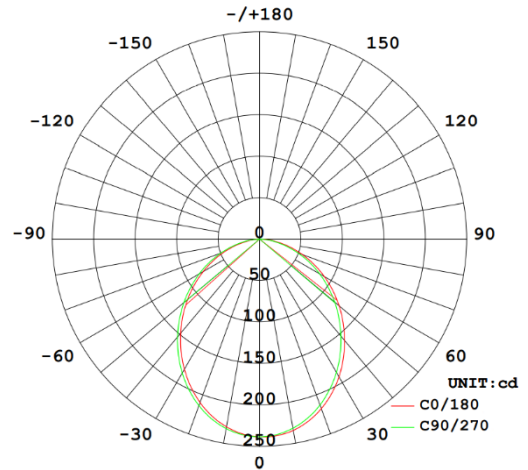


Diagram for RC7W723-01 in 3000K. Other diagrams available on request

Accessories

- RC7TRIMX-04 Circular trim for 72mm cut out, Black for RC7
- RC72TRIM-01 Extension trim to 92mm cut out, White for RC7
- RC72TRIM-13 Extension trim to 92mm cut out, Brushed Chrome for RC7
- RC7SQTRIM-01 Square trim for 72mm cut out, White for RC7
- RC7SQTRIM-13 Square trim for 72mm cut out, Brushed Chrome for RC7