



SILVER and WHITE version.



SWAROVSKI version.

Range of axial extractors with airflow rates of 85 m<sup>3</sup>/h, for connection to 100 mm diameter circular ducting.

Motor mounted on silent-elastic-blocks which absorb the vibrations and allow offering very low noise level. All the fans are manufactured from injection moulded plastic, fitted with automatic shutter and single phase 230V-50Hz, class B low consumption motor equipped with thermal overload protection. All the fans are class II insulation, IP45 rated and suitable to operate with air temperature up to 40°C.



Validated mark of approval  
 noise abatement society



WATER PROTECTED!



LOW NOISE!



ENERGY EFFICIENT!



**Back draft shutter**

To prevent air entry and limit heat leakage when the extractor is not operating. It opens due to the pressure of the air.



**Silent-blocks**

Motor mounted on "Silent-elastic-block" to prevent vibration and noise transmission.



SILENT-100 DESIGN



USUAL EXTRACTOR

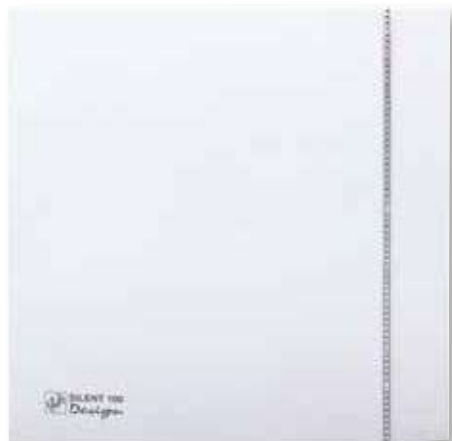
**Quiet operation**

In usual extract fans the vibrations are transmitted to the surrounding areas while in SILENT extractor fans the vibrations are absorbed by the Silent Blocks.

# BATHROOM EXTRACT FANS SILENT-100 DESIGN 3C Series



**SWAROVSKI versions:** Elegant and innovative design. Supplied with a front grille with a swarovski bar.



WHITE



CHAMPAGNE



SILVER



### Interchangeable colour bars

Interchangeable colour bars. 4 colours to match the decor of the room: blue, red, green and yellow.

### Models 3C



Black

Grey

Champagne

Gold



### SILENT-100 CZ DESIGN 4C: Different colours available.

4C models incorporate 5 interchangeable colour bars (transparent, blue, green, red and yellow).



Ivory

Red

Marble white

Marble black



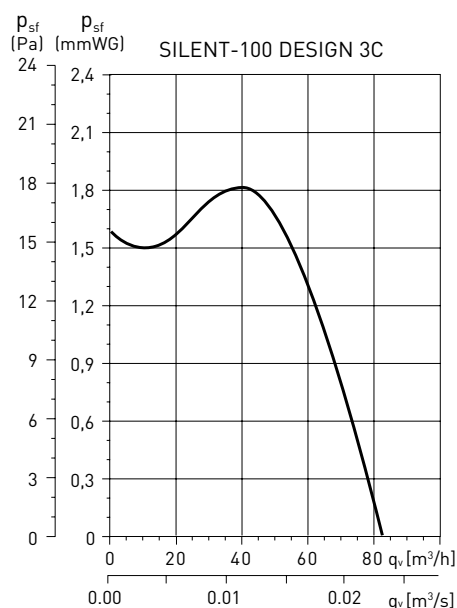
BARCELONA

### MODEL FEATURES

	CZ DESIGN 3C	CRZ DESIGN 3C	CHZ DESIGN 3C
PILOT LIGHT	●	●	●
BACKDRAFT SHUTTER	●	●	●
ADJUSTABLE RUN-ON-TIMER (1-30MIN)		●	●
ADJUSTABLE HUMIDISTAT			●
BALL BEARINGS	●	●	●
KIT BAR LIGHTS 4 COLOURS	●	●	●
WIRING DIAGRAM*	2, 3	4, 5	1, 4

\* See section of Wiring Diagrams.

### PERFORMANCE CURVE



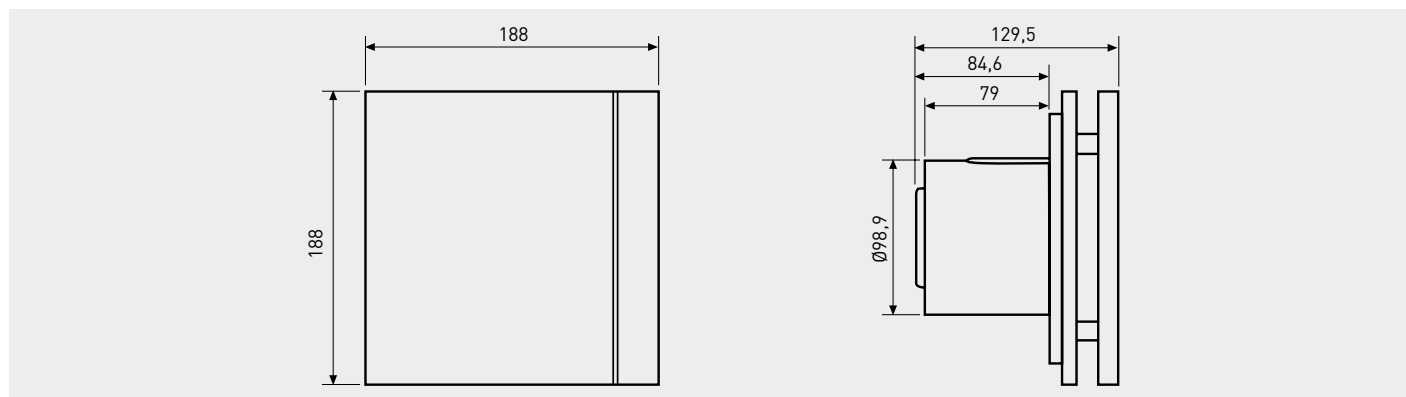
### TECHNICAL CHARACTERISTICS

Model	Absorbed power at free discharge (W)	Voltage (V) 50 Hz	Sound pressure level* (dB(A))	Airflow at free discharge (m³/h)	Insulation/IP	Ø duct (mm)	Weight (kg)
SILENT-100 DESIGN 3C	8	230	26,5	85	Class II / IP45	100	0,65
KIT SILENT-100 DESIGN 12V** 3C	12	12	26,5	80	Class III / IP57	100	0,65

\* Sound pressure level measured at 3 m at free air conditions.

\*\* Delivered with CT-12/14 transformer.

### DIMENSIONS (mm)



### ACCESSORIES



**GSA-M0 100**  
Flexible aluminium ducting.



**GRA-75**  
Aluminium exterior grille.



**FIXED SHUTTER AND TELESCOPIC DUCT**  
(200 to 420 mm).



**CX-80/125**  
Worm drive ducting clip.



**PER-100W**  
Back draft shutter.



**WINDOW KIT 100**  
Accessory to allow SILENT-100 in a window.



Range of axial extractors with airflow rates of 85 m<sup>3</sup>/h, high-performance, low consumption Brushless motors, for connection to 100 mm diameter circular ducting. Motor mounted on silent-elastic-blocks which absorb the vibrations and allow offering very low noise level. All the fans are manufactured from injection moulded plastic, fitted with automatic shutter and single phase 230V-50/60Hz, low consumption motor equipped with thermal overload protection. All the fans are class II insulation, IP45 rated and suitable to operate with air temperature up to 40°C. With consumption of only 5W, the SILENT ECOWATT series extractors are especially recommended toilets, bathrooms and installations where the extractor will require long working hours resulting in a considerable reduction in energy costs.



WATER PROTECTED!



LOW NOISE!



ENERGY EFFICIENT!



**SILENT-100 DESIGN 12VDC ECOWATT + CT-12/6**

Kit made up of SILENT-100 DESIGN 12VDC ECOWATT fan, fitted with 12VDC brushless motor and designed for operation at SELV, and a transformer CT-12/6.



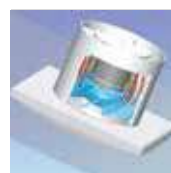
**Back draft shutter**

To prevent air entry and limit heat leakage when the extractor is not operating. It opens due to the pressure of the air.



**Silent-blocks**

Motor mounted on "Silent-elastic-block" to prevent vibration and noise transmission.



SILENT-100 DESIGN ECOWATT

**Quiet operation**

In usual extract fans the vibrations are transmitted to the surrounding areas while in SILENT extractor fans the vibrations are absorbed by the Silent Blocks.



**Interchangeable colour bars**

Interchangeable colour bars. 4 colours to match the decor of the room: blue, red, green and yellow.

KIT SILENT-100 DESIGN 12VDC ECOWATT + CT-12/6

### MODEL FEATURES

	CZ	CRZ	CHZ
DC MOTOR	●	●	●
PILOT LIGHT	●	●	●
BACKDRAFT SHUTTER	●	●	●
ADJUSTABLE RUN-ON-TIMER		●	●
ADJUSTABLE HUMIDISTAT			●
WIRING DIAGRAM*	2, 3	4, 5	1, 4

\* See section of Wiring Diagrams.

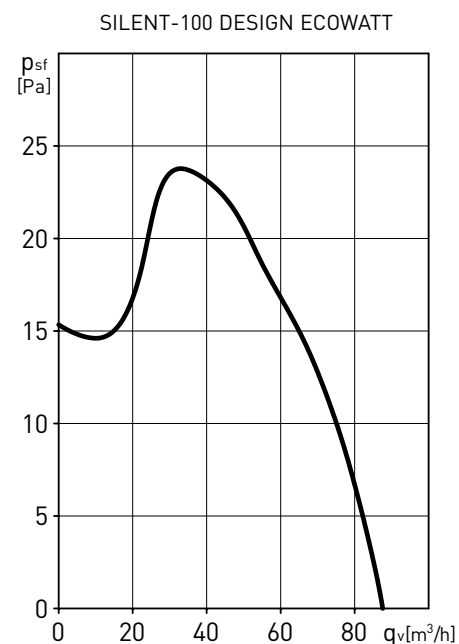
### TECHNICAL CHARACTERISTICS

Model	Speed (rpm)	Absorbed power at free discharge (W)	Voltage (V) 50/60 Hz	Sound pressure level* (dB(A))	Airflow at free discharge (m <sup>3</sup> /h)	Insulation/ IP	Ø duct (mm)	Weight (kg)
SILENT-100 DESIGN ECOWATT	2100	5	230	26,5	85	Class II / IP45	100	0,65
KIT SILENT-100 DESIGN 12VDC ECOWATT	2100	8	230	29	90	Class III/IP57 / Class IIIIP21**	100	0,65 / 0,48**

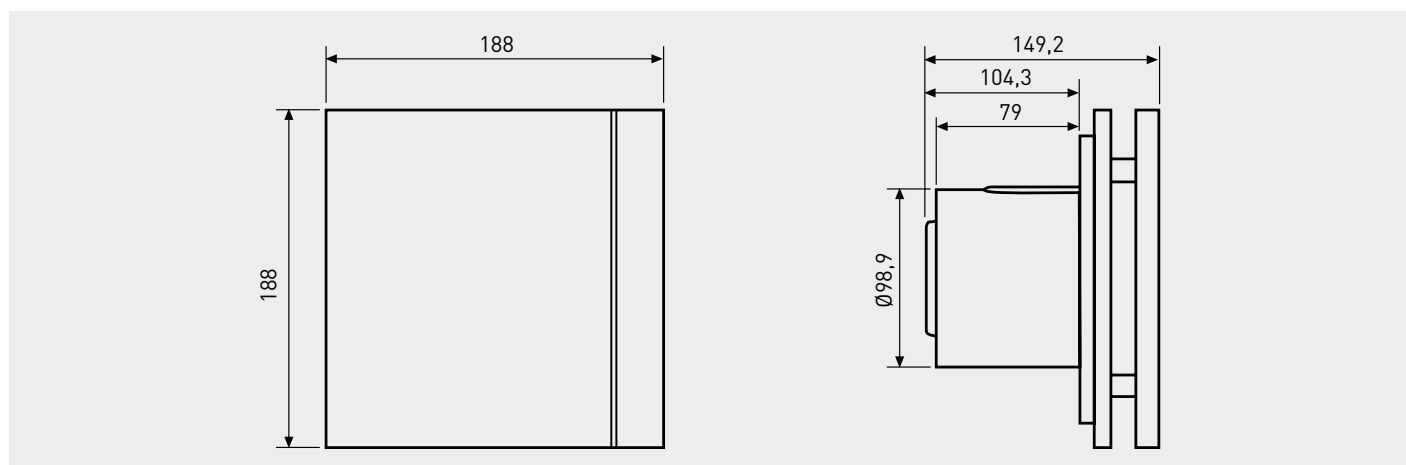
\* Sound pressure level measured at 3 m at free air conditions.

\*\* SILENT/CT-12/6.

### PERFORMANCE CURVE



### DIMENSIONS (mm)



### ACCESSORIES



**GSA-M0 100**  
Flexible aluminium ducting.



**GRA-75**  
Aluminium exterior grille.



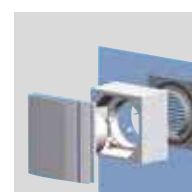
**FIXED SHUTTER AND TELESCOPIC DUCT**  
(200 to 420 mm).



**CX-80/125**  
Worm drive ducting clip.



**PER-100W**  
Back draft shutter.



**WINDOW KIT 100**  
Accessory to allow SILENT-100 in a window.



SILVER versions can be supplied with an aesthetical silver front grille.



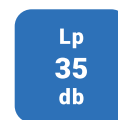
Different styles with the colour bars.

Range of axial extractors with airflow rates of 175 m<sup>3</sup>/h, for connection to 120 mm diameter circular ducting.

Motor mounted on silent-elastic-blocks which absorb the vibrations and allow offering very low noise level. All the fans are manufactured from injection moulded plastic, fitted with automatic shutter and single phase 230V-50Hz, class B low consumption motor equipped with thermal overload protection. All the fans are class II insulation, IP45 rated and suitable to operate with air temperature up to 40°C.



WATER PROTECTED!



LOW NOISE!



ENERGY EFFICIENT!



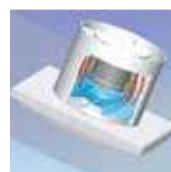
**Back draft shutter**

To prevent air entry and limit heat leakage when the extractor is not operating. It opens due to the pressure of the air.



**Silent-blocks**

Motor mounted on "Silent-elastic-block" to prevent vibration and noise transmission.



SILENT-200 DESIGN-3C

**Quiet operation**

In usual extract fans the vibrations are transmitted to the surrounding areas while in SILENT extractor fans the vibrations are absorbed by the Silent Blocks.



USUAL EXTRACTOR



**Interchangeable colour bars**

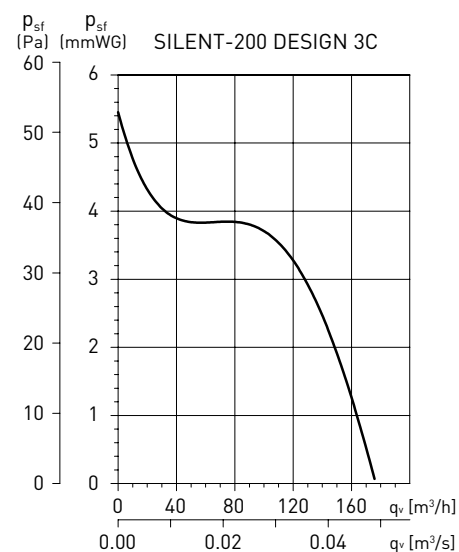
Interchangeable bar lights let the fan blend in with every setting. 4 colours to match the decor of the room: blue, red, green and yellow.

### MODEL FEATURES

	CZ DESIGN 3C	CRZ DESIGN 3C	CHZ DESIGN 3C
PILOT LIGHT	●	●	●
BACKDRAFT SHUTTER	●	●	●
ADJUSTABLE RUN-ON-TIMER (1-30MIN)		●	●
ADJUSTABLE HUMIDISTAT			●
BALL BEARINGS	●	●	●
KIT BARS 4 COLOURS	●	●	●
WIRING DIAGRAM*	2, 3	4, 5	1, 4

\* See section of Wiring Diagrams.

### PERFORMANCE CURVE

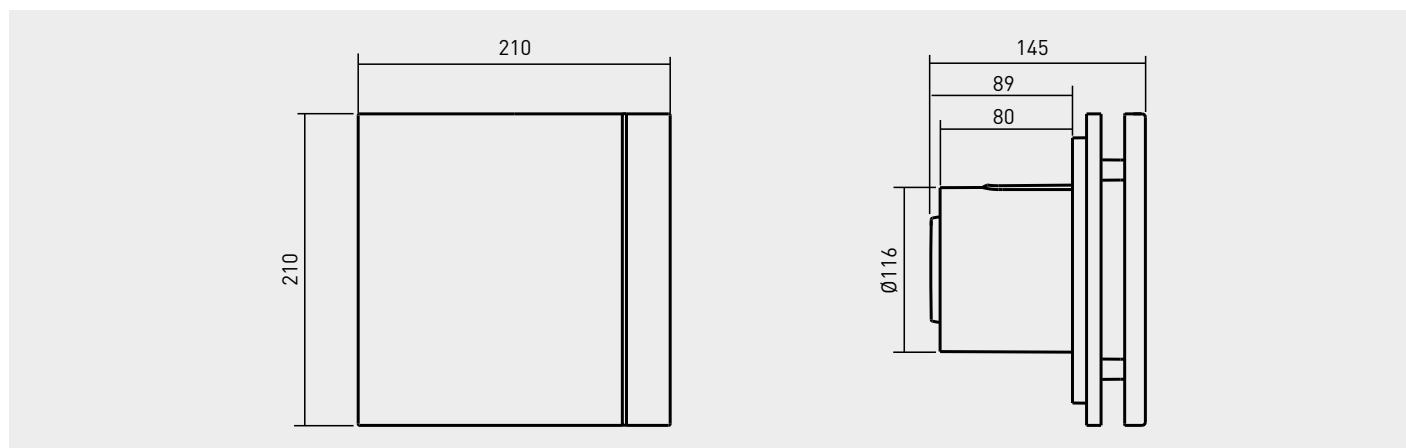


### TECHNICAL CHARACTERISTICS

Model	Absorbed power at free discharge (W)	Voltage (V) 50 Hz	Sound pressure level* (dB(A))	Airflow at free discharge (m³/h)	Insulation/ IP	Ø duct (mm)	Weight (kg)
SILENT-200 DESIGN-3C	16	230	35	175	Class II / IP45	120	0,88

\* Sound pressure level measured at 3 m at free air conditions.

### DIMENSIONS (mm)



### ACCESSORIES



**GSA-M0 125**  
Flexible aluminium ducting.



**GRA-75**  
Aluminium exterior grille.



**CX-80/125**  
Worm drive ducting clip.



**PER-100W**  
Back draft shutter.



**WINDOW KIT 200**  
Accessory to allow SILENT-200 in a window.





SILVER version.  
 All versions available with Silver front cover.



Different styles with the colour bars.

Range of axial extractors with airflow rates up to 300 m<sup>3</sup>/h, for connection to 150-160 mm diameter circular ducting. Motor mounted on silent-elastic-blocks which absorb the vibrations and allow offering very low noise level (SILENT-300 DESIGN). All the fans are manufactured from injection moulded plastic, fitted with automatic shutter and single phase 230V-50Hz, class B low consumption motor equipped with thermal overload protection.

All the fans are class II insulation, IP45 rated and suitable to operate with air temperature up to 40°C.

Version SILENT-300 PLUS DESIGN for increase performance.

Versions with electronic timer (CRZ) or adjustable hygrostat (CHZ).



WATER PROTECTED!



**Back draft shutter**

To prevent air entry and limit heat leakage when the extractor is not operating. It opens due to the pressure of the air.



**Silent-blocks**

Motor mounted on "Silent-elastic-block" to prevent vibration and noise transmission. (SILENT-300 DESIGN)



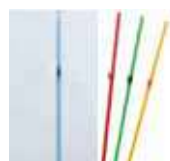
SILENT-300 DESIGN-3C



USUAL EXTRACTOR

**Quiet operation**

In usual extract fans the vibrations are transmitted to the surrounding areas while in SILENT extractor fans the vibrations are absorbed by the Silent Blocks.



**Interchangeable colour bars**

Interchangeable bar lights let the fan blend in with every setting. 4 colours to match the decor of the room: blue, red, green and yellow.



### MODEL FEATURES

	CZ DESIGN 3C	CRZ DESIGN 3C	CHZ DESIGN 3C
PILOT LIGHT	●	●	●
BACKDRAFT SHUTTER	●	●	●
ADJUSTABLE RUN-ON-TIMER (1-30MIN)		●	●
ADJUSTABLE HUMIDISTAT			●
BALL BEARINGS	●	●	●
SILVER FRONT COVER	●	●	●
WIRING DIAGRAM*	2, 3	4, 5	1, 4

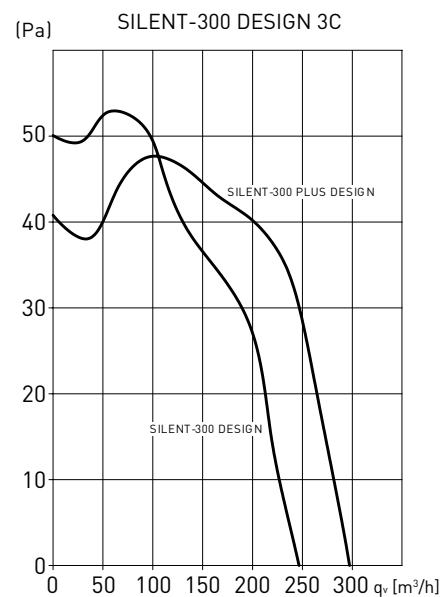
\* See section of Wiring Diagrams.

### TECHNICAL CHARACTERISTICS

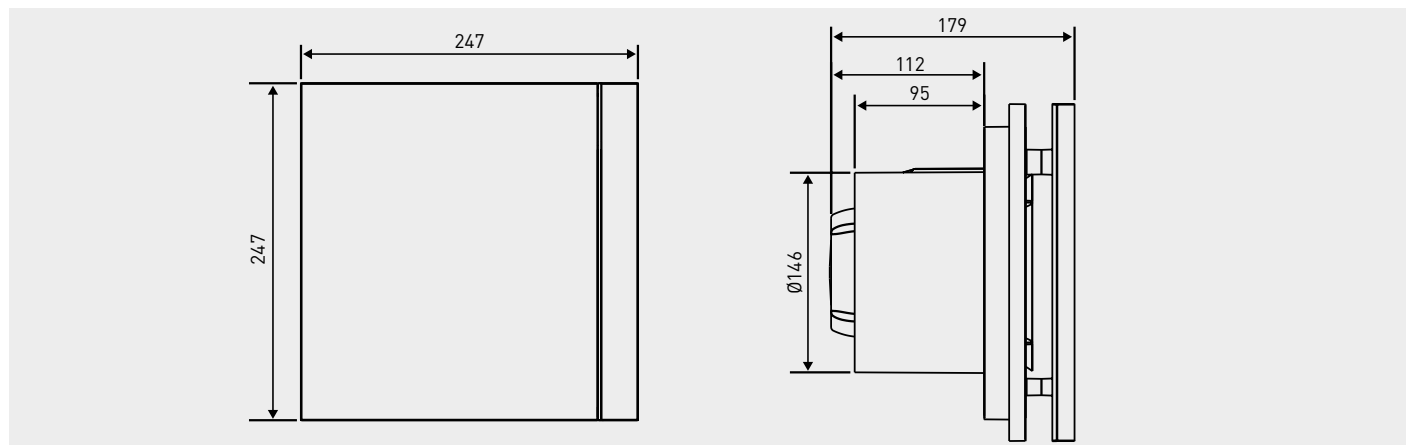
Model	Maximum absorbed power (W)	Voltage (V) 50 Hz	Sound pressure level* (dB(A))	Airflow at free discharge (m³/h)	Insulation/ IP	Ø duct (mm)	Weight (kg)
SILENT-300 DESIGN	26	230	38	250	Class II/IP45	150-160	1,5
SILENT 300 PLUS DESIGN	22	230	42	300	Class II/IP45	150-160	1,9

\* Sound pressure level measured at 3 m at free air conditions.

### PERFORMANCE CURVES



### DIMENSIONS (mm)



### ACCESSORIES



**GSA-M0 150**  
Flexible aluminium  
ducting.



**GRA-150**  
Aluminium exterior  
grille.



**REB**  
Single phase  
electronic speed  
controllers.



**CX-125/215**  
Worm drive ducting  
clip.



**PER-160W**  
Back draft shutter.